

CZECH REPUBLIC

change proposal to the Naviga M section (Technical Committee WC 2017)

Dear Naviga M-section members,

I would like to introduce few change requests which will be presented on Technical Committee in Nagykanisza in summer 2017:

List of proposed changes:

- 1) Proposal nr. 1 – Using of limiters
 - 1) default requirements for limiter
 - 2) collect data during 2017
 - 3) make conclusions on collected data
 - 4) section leader prepares voting based on received data
 - 5) national team leaders will vote by email
 - 6) section leader will incorporates results of vote into the section rules
 - 7) transitional period (1/1/2018-31/12/2018)
 - 8) collect data during 2018
 - 9) make conclusions on collected data
 - 10) section leader prepares the voting based on received inputs
 - 11) national team leaders will vote by email
 - 12) section leader will incorporates results of vote into the section rules
 - 13) from 1/1/2019 agreed solution will be used
- 2) Proposal nr. 2 – Random choice of racers for each qualification heat
- 3) Proposal nr. 3 – Error corrections in M section rulebook
- 4) Proposal nr. 4 – Shortening championship duration
 - 1) cancel Mono 2, Hydro 2 classes (save 6,8 hours of racing)
 - 2) cancel ECO teams (save 6,9 hours of racing)
 - 3) adjust mini ECO teams (save 5,6 hours of racing but add cca 1,5 hour)
 - 4) shorten FSRE up to 10 minutes (save 3,5 hours)
 - 5) what to do with individual classes?
 - a) cancel combustion power classes
 - b) group classes as follows: F1E, F1V, F3E, F3V
 - c) shorten time for race and preparation time
- 5) Proposal nr. 5 – Become a member of Sport Accord organization

I hope we will reach consensus and will choose solution which will move our hobby further to the great future.

Zdenka Dostálová,
Czech Republic M section leader



CZECH REPUBLIC change proposal - Naviga M section
Technical Committee WC 2017

Proposal nr. 1 - Using of limiters
What is it?
<p> Limiter = device which limits amount of used energy nowadays 2 devices for boats are available on the market (MDLE, eLim) – you can find its manuals as attachment</p>
Why?
<ul style="list-style-type: none"> - safety reasons – racers are used to solder connectors directly on the lipo cells and use almost no package (or remove it just after the race) to get desired weight - decrease costs – short lifetime of used lipo cells (lipo cells freely available on market are not able to withstand the way how they are used during our races), if racers (majority) would like to succeed during international events they have to invest lot of money into cell packs (it is no exception 1 cell pack is used only for 1 heat, than its useless and have to be thrown away) of course there are exceptions few racers are able to tune the boat to be efficient enough to safe cell pack to last longer - race rather on the water not in possibility of buying more/better/more expensive components - better solution has not been found (for details see experiences section)
Experiences:
<ul style="list-style-type: none"> - the idea of limiters was introduced during technical committee 2015 in Poland (but no tests has been done in model boats yet) few alternative ideas has been mentioned to solve the battery problems (for example change the weight limit of cell packs which will not solve the problems with cost, change the weight or length of boat which will not solve problem either, or change the rest voltage of cell after the race which is not solution either – the voltage per cell will increase a bit after some time so when the boat stops on the lake and has to be rescued there is enough time for cells to reach the limit but their life is over anyway) - airplane modelers (pylons, gliders) use limiters since 2012, they have a lot of great experiences with it and have no doubts it was good solution to apply them even after 5 years of usage (they applied limiters because of same reasons as are described in previous paragraph) - in the spring 2016 started the tests with Unilog limiter in few countries (we found out the amount of consumed energy and also few issues for example the device is too complicated, expensive and among others has no tolerance of humidity) - development of specific limiter device especially for model boats has been started in late spring 2016 - first bigger public test has been done during EC in Hungary 2016 during autumn another test has been done and device has been tuned based on exact requirements - from January 2017 device is tested as alternative solution for battery weight limit in few countries and data are being collected for setting up correct values - limiter accuracy have to be set up properly, the last test in Lesznowola (June 2017) showed devices are not yet accurate enough but producers claimed they can handle it (they focused on other functions by now)
Frequently asked questions:
<p>Why use limiter as a limiting device and not energy counter only?</p> <ul style="list-style-type: none"> - this solution is time consuming and staff demanding – requires after race check by judge - there is bigger space for cheating - it is difficult for spectators to recognize the heat winner <p>How it does work in practice?</p> <ul style="list-style-type: none"> - limiter is connected in the boat before the heat (possibly checked by judge instead of weighting and measuring batteries), limiter starts to count consumed amount of

CZECH REPUBLIC change proposal - Naviga M section
Technical Committee WC 2017

energy, when the limit is reached model boat slows down 12s (enough time for racer even on the oval track to realize limit has been reached to go away from the track to not hinder other boats – without limiter model boat stops suddenly which is possible risk of collision), after 120s power is restored and boat can go back to the platform (the value on the limiter show 0)

Can I restore the limit by unplugging kill switch?

- yes in case limiter is connected behind the kill switch (between kill switch and ESC) but you have to wait 120s until limit is restored
- no in case limiter is connected before the kill switch – this feature is here because of long races (FSRE or teams) when the boat could be rescued (when rescued kill switch has to be unplugged)

Which limiter can I use?

- the one which meets agreed requirements (how requirements will be set? – see point “proposed way how to implement limiters”

I am great programmer I suppose I can cheat it easily, right?

- yes probably you can but you may cheat it for one of your race mates (during international events limiters are drawn from the hat)
- the best way how to prevent cheating has been introduced during airplane model WC 2016 in Italy – every racer got the limiter from the organizer just before the heat (used connectors were mentioned in the WC invitation), organizer got better price from producer (after the WC limiters were sold to the racers for the better price (note: they crash the planes often to the ground – electronics do not survive usually) – in our case limiter can be kept by Naviga for further events but the start fee has to be bit higher to cover the cost of limiters during the first championship), in case racer destroyed the limiter he paid for it; after the heat racers had chosen the ball (white or black) from the sack - if black than the model has to go through detail check by judge (in finals first 5 pilots has been checked automatically), judge checked correct connection in the boat, voltage and current (to verify resistive diodes are not used in the circuit), weight of batteries 200-400g, weight of airplane > 1kg)

What is the experience of airplane modelers?

- Before limiters they usually used 10 cell packs per year for one plane, after implementing limiter solution they are using 1 cell pack 2 years (and they are still able to win with it)

We have compared it for you:

+ positive impact	- negative impact
more people can join our sport (less costs, better chance to win even without having good friends in battery factory)	another device in the boat is possible source of problems (yes we thought the same about transponders and still it is the best solution how to count laps)
overall costs per season decreased (racers needs less cell packs per season especially if they want to win races)	space for great programmer to cheat it (can be prevented by hat system)
safety reasons (almost no wrapping – hard to describe correct wrapping in the rules, people can do many things to keep superior energy density high but battery weight still in the limit)	correct connection has to be checked before/after the race by judge (now batteries has to be weighted and measured anyway)
race rather on the water not in possibility of buying more/expensive components	

CZECH REPUBLIC change proposal - Naviga M section
Technical Committee WC 2017

Proposed way to implement limiters step by step:	
1)	default requirements for limiter: waterproof device, has limit function (not only counting device), as simple as it can be, default type of connectors used, ...
2)	collect data on national levels for setting up correct values and possibly adjust default requirements in 2017
3)	make conclusions on collected data on the national levels and deliver those data (values, default requirements changes) to the section leader no later than 15/11/2017
4)	section leader prepares the voting based on received data and will send it to all team leaders no later than 30/11/2017 (form to fill in responsible person with the contact is in attachment)
5)	national team leaders will vote by email – as a reply to all (section leader + all national team leaders – to assure transparency) no later than 12/12/2017
6)	section leader will announce results of voting and incorporates them into the section rules no later than 31/12/2017
7)	from 1/1/2018 agreed values will be valid for transitional period (1/1/2018-31/12/2018)
8)	during 2018 more tests, comparison and evaluation will be done on national levels and possibly during EC (if it is organized)
9)	make conclusions on collected data on the national levels including recommendation to change/keep default requirements AND proposal to use: - only limiters from 1/1/2019 OR - both alternatives limiters and battery weight limit OR - roll back to the battery weight limit only and deliver it to the section leader no later than 15/11/2018
10)	section leader prepares the voting based on received inputs and will send it to all team leaders no later than 30/11/2018
11)	national team leaders will vote by email – as a reply to all (section leader + all national team leaders – to assure transparency) no later than 12/12/2018
12)	section leader will announce results of voting and incorporates them into the section rules no later than 31/12/2018
13)	from 1/1/2019 agreed solution will be used

CZECH REPUBLIC change proposal - Naviga M section
Technical Committee WC 2017

Proposal nr. 2 – Random choice of racers for each qualification heat	
What does it mean?	
During the EC/WC competitors are randomly chosen by computer to start in qualification heat. Competitor starts in each qualification heat with different people.	
Why?	
<ul style="list-style-type: none"> - fair play – in case good racer is qualified into the heat with less experienced racer who can accidentally cause frequent collision it could prevent great racer to reach the final (he could be involved in collision or it could take him more time to overtake slower/dangerous racer) 	
How to implement?	
<ul style="list-style-type: none"> - usual measuring software (for example RC timing or SW used in Czech Republic) has the feature to do random qualification order 	
We have compared it for you:	
+ positive impact	- negative impact
fair play	complication for organizer if he do not have software with random function (if such software does exist)
more fun with racing (racer can measure his abilities with more people)	racers could be confused which start number to use when it is different in the each qualification heat (but they will get use to it – as we did in Czech Republic – this system is used for years already and only have positive response)
Proposed way to implement random choice of racers in qualification:	
<ul style="list-style-type: none"> - add the rule into section rulebook: Racers in the qualification heats are chosen by computer randomly during EC/WC. 	

CZECH REPUBLIC change proposal - Naviga M section
Technical Committee WC 2017

Proposal nr. 3 – Error corrections in M section rulebook
What?
We have found few mistakes in the M section rulebook: <ul style="list-style-type: none">- part G, Regulation for the class ECO/mini ECO, Special construction specifications, regulations and checks in the class FSR-ECO - Not less than 450 gr and maximal length of 430mm for Mini Eco (incl. starting number plate). – difference between German and English version (it should be excluding starting number plate)- part A, section 1, attachment A1,2,3 does not exist (it should be attachment A1A)- part A, section 6: Juniors up to the age of 12 may only compete in the different Eco classes, Mono1 and Hydro 1. (this does not apply for the classes F1E, and F3). – it means juniors up to 12 years cannot attend miniMono, miniHydro, FSRE so those classes should be added into the list
Why?
<ul style="list-style-type: none">- You know why 😊
How to implement?
<ul style="list-style-type: none">- simply make a correction in the rulebook

CZECH REPUBLIC change proposal - Naviga M section
 Technical Committee WC 2017

Proposal nr. 4 – Shortening championship duration	
Why?	
<p>EC/WC is longer than one working week. Which brings lot of compromises into the life of working modelers (instead of spending holiday with family they spent half of their yearly holiday time with racing). Moreover the costs of such holidays are not small especially in case of hotel/apartment accommodation. Problematic as well for organizers to assure place for such a long period and do the opening ceremony during the working days (not many people/spectators can see it).</p>	
How to implement?	
<ul style="list-style-type: none"> - unfortunately there is no other solution than reduce some classes (or reduce number of racers – which I suppose is not the goal) and shorten some classes - possibility of splitting triangle and oval track does not seem to be a good idea (usually people who race on triangle track race as well on oval track – it will not shorten championship it will make it more complicated for organizer because of few people do twice registration, opening and closing ceremony) - see attachments: WC statistics.xls , duration.xls 	
We have compared it for you:	
+ positive impact	- negative impact
shortening of championship	
<p>some (hardly predict how many) people who used to race in cancelled classes can join other classes => more racers in the rest of classes => more fun and better possibility to measure racing qualities with more people => bigger value of medal (better be 1st from 40 people than to be 1st from 10 people)</p>	<p>some people (hardly predict how many) who used to race in cancelled class will be angry => they will quit racing</p>
Proposed way to implement change:	
<ol style="list-style-type: none"> 1) cancel Mono 2, Hydro 2 classes (save 6,8 hours of racing) <ul style="list-style-type: none"> - most expensive classes from group race 2) cancel ECO teams (save 6,9 hours of racing) <ul style="list-style-type: none"> - high probability of collision, higher costs compared to mini ECO teams - on the other hand this is interesting class for spectators 3) adjust mini ECO teams (save 5,6 hours of racing but add cca 1,5 hour) <ul style="list-style-type: none"> - make it even more fun and more interesting for public - as a last race of EC/WC – racers can use boats from mini ECO group races - new rules: only 1 team per country is allowed, 2-5 racers + 1 helper, minimum of 2 models, duration: 30 mins, only one final round (no qualification) – on first glance visible who (which country) won the race – interesting for public 4) shorten FSRE up to 10 minutes (save 3,5 hours) <p>=====</p> <p>total amount of saved time (group race) = 21,3 hours (3 days) saved</p> 5) what to do with individual classes? <ul style="list-style-type: none"> - lets suppose there is special track for individual races but this is not enough (in total it consumes 54,5 hours – 6,8 days) - it has to be reduced as well: <ol style="list-style-type: none"> a) cross out combustion power (simplification in the rules, combustion engines are specific for FSR section, easier for organisers to arrange event) b) group classes: F1E, F1V (without ccm limit), F3E, F3V c) shorten time for race and preparation time 	

CZECH REPUBLIC change proposal - Naviga M section
 Technical Committee WC 2017

Proposal nr. 5 – Become a member of Sport Accord organization	
What does it mean?	
<p>SportAccord (previously Global Association of International Sports Federations) is the umbrella organisation for all (Olympic and non-Olympic) international sports federations as well as organisers of multi-sports games and sport-related international associations. https://www.sportaccord.com, https://en.wikipedia.org/wiki/SportAccord Example of members: FIFA (football), FIA (formula 1), FAI (airplane modelers), UIM (kind of competitor for Naviga),</p>	
Why?	
<ul style="list-style-type: none"> - reach to the state contribution for the modelers who are members of officialy recognized sports associations (Naviga is not the case) – in more and more countries state contribution/donation is or will be conditioned by membership of the officially recognized sport organization which is member of Sport Accord - gain an advantage before IMBRA – IMBRA does not meet requirements to become a member of Sport Accord but Naviga does - prevent members of Naviga to “escape” from Naviga to UIM – because of money (state contribution could be a lot of money in some countries and may motivate racers to attend big events and invest money to their models) 	
How to implement?	
<ul style="list-style-type: none"> - pay member fee (associate member is enough) and become a recognized member of Sport Accord organization – we would like to be recognized as official sport (note: nowadays process of becoming a member is being reworked by Sport Accord I cannot describe it in detail) - let me add the article 43 from Sport Accord statutes: Article 43. Independence of Members No discussion or voting by SportAccord shall infringe in any way on the freedom and independence of any Member, who shall, at all times, retain complete independence and control over all matters falling within its field of activity. 	
We have compared it for you:	
+ positive impact	- negative impact
possibility to draw state contributions	?
gain an advantage before IMBRA	
prevent Naviga members to escape from Naviga to UIM	

Limiter – in general

Proč limiter / Why limiter?

Důvodů pro vývoj limiteru je několik, zejména však problematika používaných akumulátorů pro pohon výkonných rychlostních modelů lodí. Mezinárodní pravidla předepisují ve víceméně nezměněné podobě od roku 2008 LiPol akumulátory (ostatní typy nebyly prakticky konkurenceschopné) pomocí maximální hmotnosti pohonné sady, například 280g pro nejrozšířenější „A“ kategorie (eco, mono1, hydro1). Postupem času se však ukazuje, že tato definice přináší i mnohé problémy:

There can be mentioned lots of point for using Limiter, however most important probably is actual state with batteries allowed for fast electric racing boats under NAVIGA section M. In 2008, there was made last significant change in power supply limitations, when LiPo was allowed. Also other battery chemistry are/were allowed, but these seems not to be competible.

LiPo batteries are prescribed by maximum weight of the battery pack, i.e. 280g for the most raced „A“ classes. Meanwhile, after several years, this definition seems not to be the best due several reasons:

- 1) *Výrobci LiPol akumulátorů dokáží přizpůsobit svoji nabídku poptávce, v průběhu let tedy došlo ke vzniku specializovaných řad akumulátorů pro modely lodí s nadstandardní nominální energetickou hustotou ve srovnání s běžnými typy na modelářském trhu. Důraz na jednu vlastnost ale přináší upozadění ostatních vlastností, tedy životnost a proudová hustota (jinak též označení „C“ neboli maximální dovolený odebíraný proud z akumulátoru) jsou naopak podprůměrné. Přitom jak je u specializovaných výrobků obvyklé, jejich cena je vyšší než už běžných ekvivalentů.*

LiPo batteries producers are able to offer what customers wants. So we are able to buy specialized LiPo batteries just for racing boats with superior energy density compared to standard batteries available on RC hobby market. However, prioritization of one property may cause substandard values in other properties, like service life and current density (or more commonly used as „C“ rating for calculating of max. discharging current). Finally, as it can be expected in case of specialized products, price of boat racing LiPo batteries is higher than similar RC hobby batteries.

- 2) *Druhou významnou skutečností je vlastní průběh soutěžního provozu akumulátorů. Velká většina soutěžících má své modely připraveny tak, že kapacitu akumulátorů využívají plně, tedy do zbytkové energie 1-3% odpovídající klidovému napětí po jízdě 3,3-3,4V/článek. Takto získají maximum možné energie, ale zároveň splní požadavek pravidel na minimální koncové napětí. Pro LiPol akumulátory to je ovšem problematický provozní režim, ve kterém i nadprůměrně odolné typy mají životnost nejvýše v desítkách cyklů. V případě „úplného“ vybití s klidovým napětím cca 3V/článek a méně pak často akumulátor již po prvním vybití ztrácí nemalou část kapacity a je pro další soutěžní použití prakticky nepoužitelný.*

Lze tedy předpokládat, že pokud by bylo možné využít energii v akumulátoru jen z cca 80%, jeho životnost výrazně vzroste.

Also the way how batteries are used during racing affects their service life. Most of racers have their speed boats tuned to use almost all energy stored in the battery, corresponding 1-3% residual energy at about 3.3-3.4V/cell. In that case, maximal energy is discharged, but still keep the low voltage limity required by rules. However, this working mode is problematic for LiPol batteries, when service life is only about several tenths of cyclec even for the best types. In case of „complete“ discharge with end voltage about

3.0V/cell or less, which can also easily happen, the battery lost significant part of its capacity even after first discharge and becomes almost useless for next racing.

We can expect that battery service life will extend significantly in case of discharging only i.e. 80% of its total energy.

- 3) *Hmotnost akumulátorů je kontrolována po skončení jízdy. Nicméně snaha co nejvíce využít předepsaný limit vede k používání jen velmi subtilních či rovnou žádných obalů akumulátorů, případně jsou tyto obaly často před kontrolou odstraňovány. Vzhledem k častému nafukování a zahřívání akumulátorů je manipulace s nimi krátce po skončení jízdy riziková, stejně jako hrozí například poškození vlastního hermetického obalu článků v případě, že nemají další krytí. Při přípravě je pak pro splnění limitu potřeba například pájet konektory přímo na vývody článků, což ale zase přináší možnost mechanického poškození vývodů a znehodnocení akumulátoru.*

Battery pack weight is checked after the race. However, in effort to use prescribed weight limit maximally, only very delicate or even no battery covers are used, or these covers are removed before checking. In fact, batteries can heat or inflate itself during the race and this can cause damage hermetic packaging of cells when no extra cover is used. And any damage of basic cell surface may cause smoke or fire.

Another point is necessity of soldering power plugs directly on cell contact plates, which can be easily mechanically broken without possibility to repair.

Výše uvedené zajisté neshrnuje vše, nicméně je určitě možné se shodnout na existenci výše uvedených problémů, které zvyšují náklady na provoz soutěžních modelů, vyžadují vysokou opatrnost a přinášejí zbytečné bezpečnostní rizika. Cest jak toto vyřešit je samozřejmě více, aktuálně nejvíce diskutovanou je právě použití limitéru energie, který převezme funkci omezení předepsané energie místo omezení hmotnosti akumulátoru. Podobně se již dříve začaly používat specializované limitéry v některých kategoriích modelů letadel, zejména elektrické pylony. Bohužel díky specializaci nelze pro modely lodí přímo použít již existující zařízení, jediné univerzální v podobě UNILOGu je složité na zapojení, finančně náročné a zejména s nulovou tolerancí vody či vlhkosti v zařízení.

Points written above surely don't summarize all actual problems, however these mentioned really exist, increase cost of racing and require high care about safety risks. There can be found several solutions, nowadays the most discussed is usage of energy limiter device to take over the control of available energy for one race instead of maximum battery weight. Same way can be seen at several RC plane classes, when specialized limiters are used i.e. in electric pylon racing. Unfortunately, existing devices cannot be used in RC boats due different working conditions and only one universal type, UNILOG, requires specific connection and definitely don't work in case of even little moisture in the device.

Jak limiter funguje / How limiter works?

Obecnou specifikaci limitéru lze shrnout jednoduše. Jedná se o zařízení měřící aktuální napětí a protékající proud s dostatečně vysokou vzorkovací frekvencí (např. min 10x za vteřinu), které z naměřených hodnot a času počítá odebranou energii (obvykle udáváno ve Wh). Po dosažení stanovené hodnoty pak daným způsobem zpomalí/zastaví model, nebo pouze signalizuje dosažení/překročení limitu. Jedná se tedy svým způsobem o wattmetr doplněný o hlídací funkci. Při návrhu je potřeba dbát na vysokou přesnost a spolehlivost, neboť by se jednalo o stěžejní zařízení pro funkci modelu.

General specification of limiter can be simply. Its device measuring actual voltage and current at sufficient sampling frequency (at least 10 times per second), using this values and

time to calculate consumer electric energy, declared usually in Wh. When pre-setted value is reached, limiter stops/slows down the boat, or only shows that limit was (over)reached. In fact, it is wattmeter with extra checking function. In design of limiter is essential to heed high accuracy and reliability due high influence at racing model functionality.

Přímé měření je tedy celkem jednoznačné, více možností ale nabízí způsob chování limiteru v případě dosažení, resp. překročení stanovené hodnoty. Celkově jde rozlišit následující dva hlavní přístupy:

Energy measuring is clear in fact, but we can use more possibilities what limiter do in case of reaching or crossing given value. These two main options can be found:

- 1) *Jen měření + signalizace překročení limitu. Model standardně pokračuje v jízdě do konce jízdy, v jejímž průběhu není nijak zřejmé, zda došlo k dosažení limitu. Po skončení jízdy je každý model zkontrolován a naměřená hodnota či signalizace překročení limitu zobrazena.*

Tento způsob nabízí minimální požadavky na limiter, který musí umět jen měřit a signalizovat. Jedná se též o jednodušší zapojení v modelu a do určité míry je snazší limiter zajistit proti neautorizovanému zásahu. Na druhou stranu pro správné vyhodnocení jízdy je nutné vždy prověřit signalizaci limiteru a stanovit způsob započtení případných penalizací (např. algoritmem odečítající nějaký počet kol za danou úroveň překročení), což nemusí být vždy jednoduché či objektivní. Též je nutný kvalifikovaný rozhodčí pro kontrolu na jakékoliv soutěži, neboť funkce není možná bez kontroly a přepočtu po jízdě.

Measuring only + limit overreaching signalization. Model drives the race until finish when time is over, reaching the limit is not shown during race. After finish, each model is checked by judges and measured value (or limit overreaching signalization) is shown and noticed.

This way is easier for limiter design, it should only measure and signalize the value. Also connection in the boat is easier and securing of limiter against unauthorized intervention. On the other side, for right race evaluation, all models have to be checked for potential signalization and way how to count penalties (i.e. to find algorithm decreasing laps and/or time for each level of energy limit overreaching) has to be established. However, this may not be easy and impartial. Also qualified judge for device signalization checking is needed at any race, because usage is not possible without checking and result adjustment after race.

- 2) *Měření + omezení/odpojení pohonu při překročení limitu. Druhá varianta je doplněna o zapojení standardizovaného řídicího signálu regulátoru skrz limiter, který po dosažení stanovené hodnoty omezí či odpojí výkon motoru.*

Toto řešení je náročnější na návrh limiteru i jeho zapojení, nicméně na druhou stranu nabízí chování bližší současnému stavu, kdy modely po vyčerpání akumulátoru zpomalí či zůstanou stát a je tedy zřejmé, kdo pokračuje v jízdě a kdo nikoliv. Stejně tak není nutná následná kontrola signalizace limiteru a přepočet dosaženého výsledku po skončení jízdy. Kontrolu zapojení lze provést před jízdou v rámci standardní přejímky, podobně jako v současné době měření napětí.

Zastavení modelu na trati sice znamená vznik překážky pro zbylé modely pokračující v jízdě, nicméně jedná se o stejný stav jako nyní. Navíc při vhodném návrhu „signalizace“ například zpomalováním či pulzací lze riziko kolize pro neplánované zastavení do značné míry omezit.

Measuring and power limiting/disconnecting when limit is overreached. Second option how limiter can be used is extended by connecting standardized ESC controlling signal from receiver through limiter which after reaching the limit switch off or slow down the power system.

This way is more demanding on the limiter design and connection, however works almost similarly to actual state when the model slows down or stops when batteries are discharged and anybody can see which model continues the race. Also no signalization checking and results recalculation is needed after race. Limiter connection can be controlled during usual controls before/after race like now battery voltage is checked. If the model stops on the course during race, it brings obstacle for the other boats, but it is in fact the same as with discharged batteries. Moreover, when signalization is designed properly, like slowing down by degrees or pulsation of the power, the risk of unwanted collision can be very low.

Konkrétní provedení první nebo druhé možnosti lze samozřejmě popisovat i mnohem podrobněji. Rozhodující je však který přístup zvolit. Většinou je druhý přístup považován za objektivnější, k čemuž se připojujeme i my při návrhu našeho Limiteru MDLE4. Ostatně i z toho důvodu, že zatímco limiter navržený i pro odpojení motoru umožní při vybavení zobrazovačem použití také pro měření, tak naopak to nelze.

Each option can be described in great detail, of course, however the most important is which option should be chosen. In majority, second option seems to be more objective, including us in case of design our Limiter MDLE4. Above that, we want to offer device usable for monitoring only too, but it is not possible to design monitoring device able to control the motor on the other side.

Limiter MDLE4

Vývoj / Development

Elektronický limiter energie MDLE4 (dále „Limiter“), tedy zařízení umožňující využít nejvýše stanovené množství elektrické energie z akumulátorů, bylo navrženo firmou MModels.eu na základě získaných zkušeností a požadavků soutěžících s rychlostními modely sekce M organizace NAVIGA. Vývoj a výrobu zakázkově zajišťuje česká firma DSYS, mající dlouholetou praxi s výrobou průmyslové i modelářské elektroniky včetně ošetření proti působení vnějších vlivů.

Electronic energy limiter MDLE4 (hereafter „Limiter“) was designed by MModels.eu company based on experience and racer's requests at competitions in classes of NAVIGA section M. Generally, electronic energy limiter is device allowing to use only setted amount of electric energy delivered from accumulators to electric motor. Development and production of MDLE4 Limiter is provided by Czech company DSYS, which have long-time experience with both modelers and industrial electronics, both with custom and mass production. Chosen company have also its own reliable know-how about protection of electronics against weather conditins.

„Náš“ Limiter je prvním zařízením které bylo pro tuto funkci představeno v prototypové podobě při testech na ME v Maďarsku 2016. Při těchto prvních testech se ukázalo, že takové zařízení opravdu může fungovat, byť jsme se potýkali s drobnějšími chybami. Následnými testy ve zbytku sezony byly všechny nepřesnosti odstraněny a Limiter byl plně připraven pro sériovou výrobu, která byla spuštěna přes zahájením sezony 2017. Zároveň byl na podzim představen též alternativní výrobek eLim firmy MLM solutions z Velké Británie, s obdobnými funkcemi, jen vyráběný individuálně.

Předpokládáme, že ve velké části aktivních zemí v sekci M budou limitory v nějaké podobě v průběhu sezony 2017 testovány tak aby jejich případné oficiální nasazení v budoucnosti mohlo být zvažováno na setkání Technické komise při MS 2017.

„Our“ Limiter is the very first device introduced as prototypes during tests at section M 2016 European championship in Hungary, when we found device like that can be really usefull, even some mistakes of the prototypes had been discovered. Upcoming intensive testing in the rest of racing season helped us to eliminate all knowed errors and Limiter was prepared for serial production just before season 2017. Simultaneously at the autumn the eLim by MLM solutions from Great Britain had been introduced, with very close functionality, only individually made.

We expect that in most of NAVIGA section M active countries limiters will be tested in some way during season 2017 to have enough experience for possible discussion at Technical comittee meeting at section M World championship 2017.

Způsob funkce Limiteru vychází z požadavků jednotlivých zemí a je částečně přizpůsobena nynějšímu záměru limitory vyzkoušet a získat maximum praktických výsledků o jejich funkci a nejvhodnějším způsobu budoucího použití. Z tohoto důvodu umožňuje současná verze Limiteru jednak programování (dostupné pro vedoucí sekce nebo určené osoby) a jednak přepínání hodnoty limitu pro konkrétní kategorie.

Design and functionality of our Limiter follows requirements given by several countries and is partialy adapted actual intentions to test limiters and gain as much practice data as possible about limiter functions and options for further use. Due this, actual Limiter allows programing by specialized card (available for national leaders or authorized person only) and switching limit value for each classes.

Zapojení, popis Limiteru / Limiter MDLE4 description and wiring

Limiter má průchozí kladný pol osazený červeným kabelem určený k zapojení mezi akumulátor, resp. odpojovací smyčku, a regulátor motoru. Pro připojení je nutné použít kvalitní konektory odpovídající zátěži a spoje zaizolovat. Dále snímací tenký černý vodič pro připojení záporného polu, opět nejlépe mezi akumulátor a regulátor. Třížilový kabel se servokonektorem se zapojí do přijímače místo regulátoru (pro provoz s řízením motoru) a řídicí kabel regulátoru poté do zdířky na Limiteru. Poslední třípinový konektor nad vstupním servokabelem je určen pro připojení přepínacího tlačítka, resp. programátoru.

Mezi vstupem a výstupem řídicího signálu motoru je umístěn LED display zobrazující nastavenou hodnotu limitu střídavě se zbývajících energií do vyčerpání limitu. LED display je pro minimalizaci rozměrů a hmotnosti jednosegmentový s cyklickým zobrazováním. Tedy například číslo 45 zobrazí jako 4 – krátká prodleva – 5 – dlouhá prodleva a takto dokola. Je to v praktickém použití plně srozumitelné.

Limiter has positive pole going through the device by red cable, designed to be connected between battery, or even better emergency switch, and ESC. Its essential to use high quality power plugs for connection and dont forget to insulate all joins. Negative pole is monitored by thin black wire, which should be connected between battery and ESC too. Three-wire cable with JR servo plug comes to RC receiver instead of ESC cable (in case motor should be controlled by Limiter) and ESC signal cable should be connected to the plug at Limiter. The last 3-pole socket located above incoming controlling cable is designed for connecting of swicht button or program card.

One-digit LED display is located between input and output of ESC signal for showing setted limit value alternately with remaining energy during working. This LED display is just one-digit due simplicity and low size and it has cyclic displaying of the values. It means that i.e. number „45“ is shown as: „4“ – short delay – „5“ – long delay . It may look complicated written, but its very easy in use.

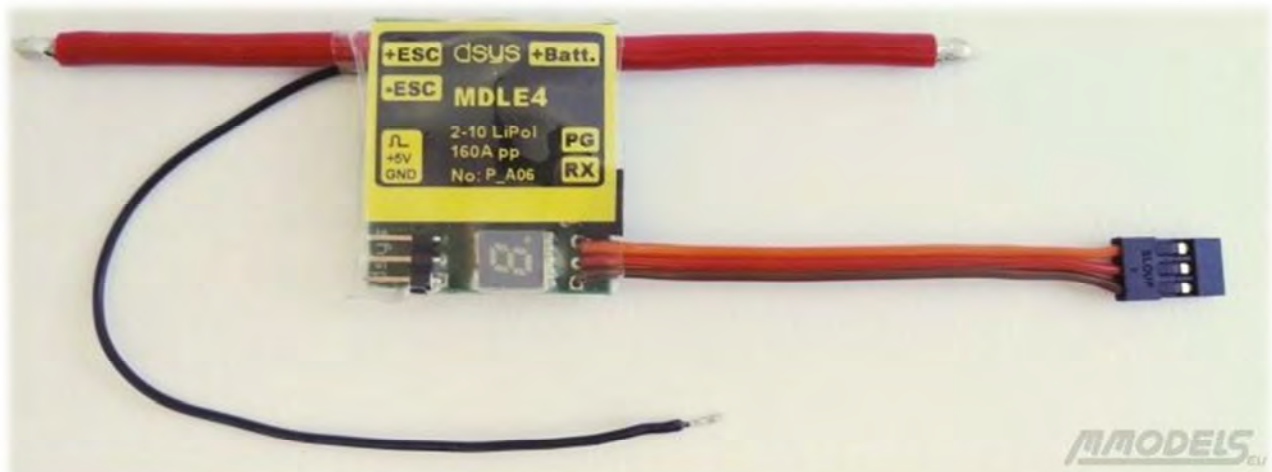


Figure 1: Limiter MDLE4 (prototype)

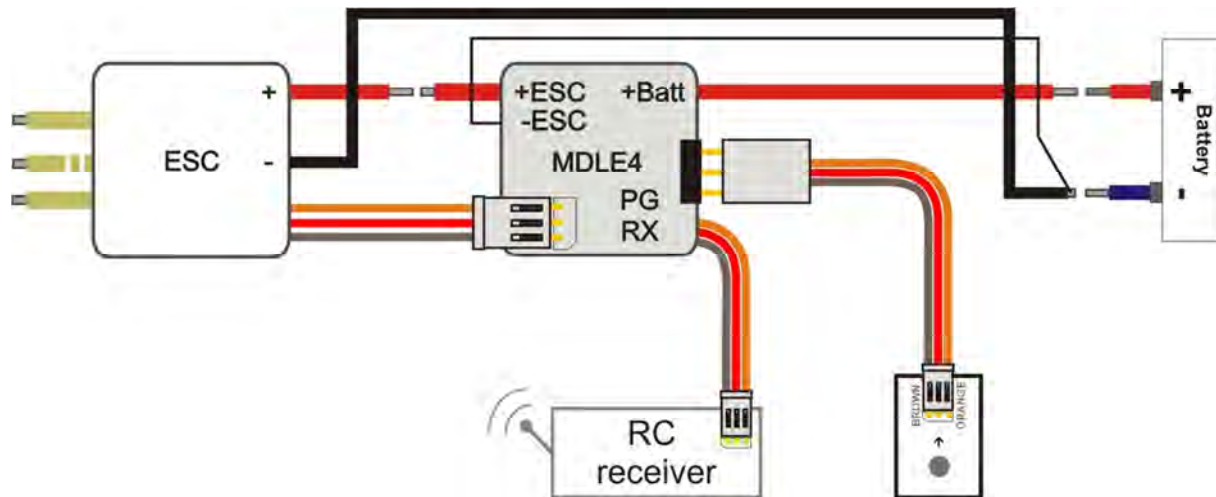


Figure 2 Limiter MDLE4 wiring scheme with smart button

Funkce a provoz Limiteru / Functionality and usage of Limiter

- Zobrazování / Displaying

Po zapojení v modelu a spuštění napájení provede Limiter inicializaci a zobrazí inicializační znaky LE4. Poté již střídavě zobrazuje aktuálně nastavený limit začínající písmenem „L“, tedy pro např. 53Wh je zobrazováno „L53“ a po krátké prodlevě druhou skupinu číslic ukazující aktuálně zbývající limit. Konkrétně tedy LE4 – L53 – 53 po zapnutí a například L53 – 6 ve chvíli kdy z nastaveného limitu zbývá 6Wh. Jedná se o zaokrouhlenou hodnotu na celé Wh. Konkrétní hodnota limitu je programovatelná.

Once Limiter is connected and power on, it makes its inicialization and shows „LE4“ for confirmation. Then it shows alternately chosen limit value beginning by letter „L“ (i.e. „L53“ for limit of 53Wh) and after short lag number without L which means actually remaining limit. Whole sequency after power on is „LE4 – L53 – 53“ and i.e. „L53 – 6“ at time when 6Wh left from the given energy value. Shown value is rounded to integer Wh and limit value is programable.

- Inicializace / Inicialization

Načítání limitu je zahájeno ihned po připojení napájení, neboť spotřeba palubní elektroniky modelu je zanedbatelná vzhledem k odběru pohonu. Alternativně lze zvolit zahájení načítání až po vzrůstu proudu nad 5A, tedy po rozjetí modelu.

Energy counting is defaultly started immediately once the power is switched on, because energy consumption of board electronic is very low compared to the propulsion systém. Another option is start of the counting when current exceeds 5A, so after the model has started the race.

- Průběh jízdy / Driving during race

Během jízdy Limiter pouze načítá spotřebovanou energii a zároveň také řídicí signál regulátoru, tak aby měl zaznamenány nejvyšší a nejnižší hodnotu, tedy úroveň stojícího motoru a plného plynu. Tyto hodnoty jsou trvale kontrolovány, není tedy možné využít automatické recalibrace regulátoru po dosažení limitu pro pokračování v jízdě. Do dosažení limitu ale Limiter nijak nezasahuje do řízení, je plně průchozí.

During race/driving Limiter only counting consumed energy and ESC controlling signal, to have noticed highest and lowest value, equaling full motor power and neutral. These

control values are permanently checked, so its not possible to use anything like automatic throttle signal recalibration of the ESC after limit is reached.

However, until reaching the limit, Limiter doesnt affect the driving at all.

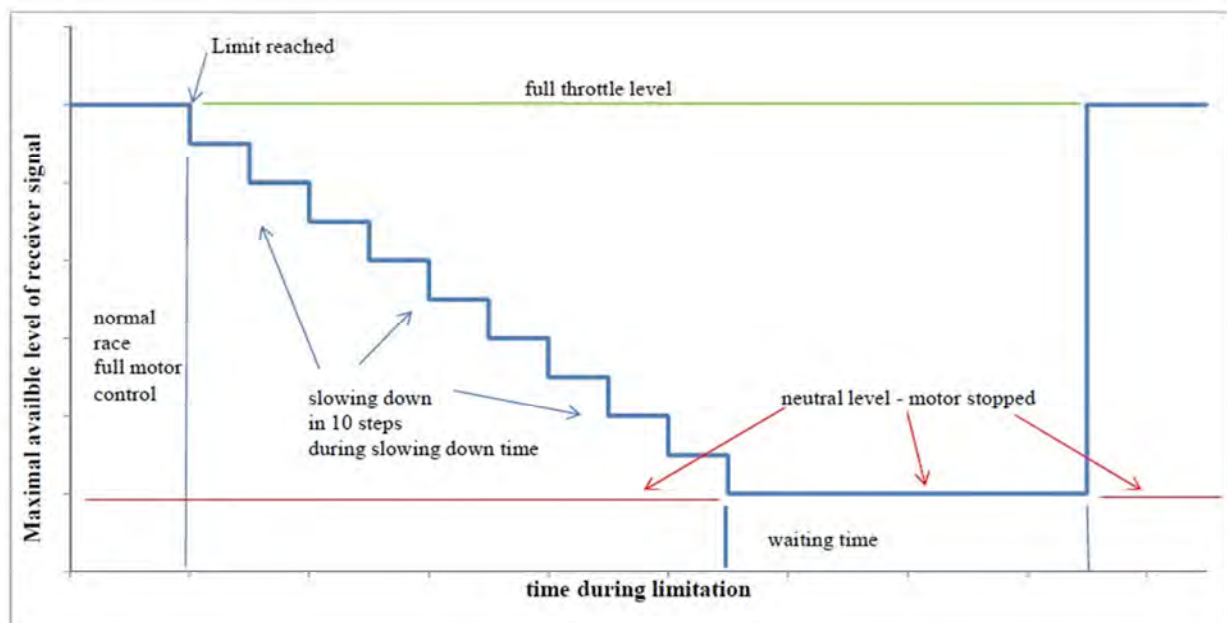
- Dosažení limitu, zpomalování / Limit reaching and power limiting

Poté, co je dosaženo zvoleného limitu spotřebované energie, Limiter částečně přebírá řízení regulátoru tím způsobem, že v průběhu nastaveného „zpomalovacího času“ postupně v 10 krocích snižuje maximální použitelný výkon motoru. Tedy, motor lze dále plně ovládat ve smyslu vypnutí či zpomalení, zrychlení je však možné nejvýše do aktuálně omezené hodnoty. Časový průběh naznačuje následující graf – Limiter propustí jakýkoliv signál který je pod zvýrazněnou čarou a naopak omezí nejvýše na úroveň dané čáry řídicí signál, který by měl být nad ní v daném čase.

Omezování v krocích bylo zvoleno pro snazší rozpoznání omezování soutěžcím, přitom ale při daném počtu kroku již není příliš vzdáleno plynulému průběhu.

Once the chosen energy limit is reached, Limiter partialy takes control over the ESC by specific way. During programmed „slowing down time“ Limiter lowers maximal available motor power in 10 steps. That means, driver still have full control about slow down or switch of the motor, however speed up is available only up to actually allowed level. Next graph shows the time proces of the limiting – the Limiter pass through any control signal which is below the thick line and conversely decrease any control signal which should be above the line to the actual value of the line.

Limiting in steps instead of linear was chosen for easier recognition of the limiting by driver, but at the same time due enough steps its almost linear too.



- Vypnutí motoru, čekání / Power swich of, waiting time

Po proběhnutí zpomalovací fáze je motor zastaven, resp. regulátor má od Limiteru signál odpovídající nejnižší naměřené hodnotě v předchozím provozu, tedy neutrálu, po dobu „čekacího času“. Tato hodnota je též programovatelná, výchozí nastavení je 100s tak, aby mezitím došlo k vypršení minutového času na dojezd posledního kola, které pak nemůže být omylem započteno při návratu modelu k platu po skončení čekací doby. Zároveň ale příliš dlouhý čekací čas zbytečně prodlužuje průběh soutěže. Řízení modelu na ostatních kanálech zůstává po dobu čekání zachované, jen k regulátoru není propouštěn jiný signál než značící neutrálu.

After the slowing down phase the motor is stopped, or more precisely ESC receives from Limiter control signal corresponding the lowest previously used value (neutral value) for the period of „waiting time“. Waiting time is programable too, default value is 100s to be longer than standard one-minute time frame given by rules for finishing last lap of race so model coming back to the ponton cannot receive extra lap counted. Conversely, too long waiting time unnecessarily extend the proces of the races. Other functions of the model remains without affecting, only ESC receives the neutral signal.

- Obnovení řízení motoru / Motor control recovery

Po skončení čekacího času Limiter přestane omezovat řídicí signál regulátoru a motor je možné znovu používat bez jakéhokoliv omezení. Model tedy může standardně přijet zpět k startovnímu molu, aniž by bylo nutné použití svážecích člunů.

Display Limiteru ukazuje zbývající množství energie jako „0“ poté co je dosaženo nastavené hodnoty. Vzhledem k určení obnovení řízení motoru není spotřebovaná energie dále zobrazována (ve smyslu např. záporných hodnot).

Once waiting time is over, Limiter stops limiting ESC control signal and driver have possibility to use motor without any limitation. Model can go to the start place and no rescue boat is needed.

Display of the Limiter shows „0“ (zero) as rest of energy once programmed limit has been reached. Energy consumed once motor has been repowered is not counted (i.e. showing values under zero etc.)

Nastavitelné parametry / Programable values

Tabulka uvádí přehled nastavitelných parametrů Limiteru. Způsob programování a přepínání je uveden níže. Pokud byly stanoveny hodnoty používané některým státem, pak jsou uvedeny na konci tohoto popisu.

Par.	Funkce	Rozsah	Krok, možnosti
P1	Paměť	1-4	4 samostatné, přepínatelné paměti
P2	Hodnota limitu	1-200 Wh	1Wh
P3	Inicializace	Start/5A	Zapnutí načítání od připojení napájení nebo od hodnoty 5A
P4	Čekací čas	1 – 120s	1s
P5	Zpomalovací čas	1 – 20s	1s

Table shows programable values of Limiter. Programming and changing of memories is described lower. If there are any values chosen by any country as default, these are written in the list at the end of this description.

Par.	Function	Vaule	Step / possibilites
P1	Memory no.	1-4	4 independent, user switchable memories
P2	Energy limit	1-200 Wh	1Wh
P3	Inicialization	Start/5A	Start counting at power on / after at least 5A current
P4	Waiting time	1 – 120s	1s
P5	Slowing down time	1 – 20s	1s

Programování / Programming

Z důvodu nabídnutí maximální univerzálnosti nabízí Limiter možnost volby konkrétní číselné hodnoty pro všechny tři zásadní funkce, viz tabulka parametrů. Programování je možné pomocí speciální programovací karty osazené LED segmentovými displayi a tlačítky. Pro zajištění objektivit bude tato karta a postup programování k dispozici pouze národním vedoucím sekcí či ekvivalentním osobám tak, aby změna či volba limitů byla v rámci národních soutěží pod kontrolou vedoucího a nebylo nutné provádět kontrolu nastavení Limiteru při běžných soutěžích, tedy pokud nebude v budoucnu zvolen jiný způsob.

In order to offer maximal versatility, Limiter allows to program exact numeric values for all three main functions, as noticed in table above. Changing the values is possible by special programm card MDPL1 with four LED displays and buttons. This card and programming scheme will be available only to national section leaders/trainers or any other choosen responsible person to have the control about which values are used in each country and not need to do detail check during standard races. Described systém can be changed in future, of course.

Druhou zásadní funkcionalitou Limiteru je možnost uživatelského výběru ze čtyř přednastavených pamětí pomocí speciálního přepínacího tlačítka. Cílem tohoto řešení je nabídnout možnost univerzálního použití jednoho Limiteru pro čtyři různé limity energie (tedy tak jak současná pravidla specifikují, ekvivalent 110g, 280g, 560g a 840g akumulátoru), případně pro testování různých délek zpomalovacího a čekacího času. Při objednávce Limiteru pak bude dodán s již přednastavenými paměťmi podle konkrétního státu, pokud hodnoty budou v době objednávky známy resp. stanoveny.

The most important is that Limiter allows standard users to choose one of pre-programmed memories by using special smart button MDPL2 (sold separately). By this

option, racer can use one Limiter in four different classes with different energy limits (as specified in rules now to equal 110g, 280g, 560g and 840g LiPol battery) or to test different lengths of slowing-down and/or waiting time. Each values will be setted when Limiter is ordered by customer based on his country if country values are known.

Přepínací tlačítko se připojuje pomocí male-male servokablíku do programovacího portu Limiteru (viz obr.2) a jeho připojení je možné pouze při vypnutém napájení (vč. přijímače), jinak není režim přepínání pamětí inicializován. Po správné inicializaci display Limiteru signalizuje zvolenou paměť a stiskem tlačítka jsou paměti cyklicky přepínány. Uložení a zvolení konkrétní paměti proběhne automaticky po jejím výměru a odpojení napájení a tlačítka. S připojeným tlačítkem není možný provoz modelu, Limiter v tomto režimu neumožňuje řízení motoru aby nedošlo k náhodnému sepnutí.

Smart button should be connected by male-male servocable into programm port of Limiter (see fig.2) and its connection is possible only when power is switched off (receiver power included), otherwise memmory switch mode will not be started. Once inicialization is done, Limiter display shows number of actual memory. Pressing the button will change the memory no., chosing the selected one will be done automaticaly once it is shown at display and Limiter is powered off (then also smart button has to be disconnected). Due safety reasons model cannot be operated when smart button is connected, Limiter in memory chosing mode doesnt allow to drive tje motor.

Další funkce / Other

Nedílnou součástí Limiteru je též několik ochran proti jednoduššímu i složitějšímu ovlivnění jeho funkce. Mezi ty základní patří zálohované napájení, kdy si Limiter pamatuje aktuální provozní stav včetně naměřené hodnoty i při odpojení napájení, a to po dobu 120s. Není tedy možné „restartovat“ funkci Limiteru pouhým krátkodobým odpojením napájení, například v průběhu jízdy. Zároveň je ale nutné na tuto funkci pamatovat například při použití Limiteru v následujících rozjíždkách s přesunutím do jiného modelu a nechat jej alespoň 120s bez napájení, což ale nebude příliš složité.

Limiter has also several protections to avoid intereference of its function. Important is backed up power, when Limiter remembers actual working state included measured energy value even power battery is disconnected for time of 120s. So, short switch on and off main power during race / measuring energy and limiting will not cause restart of the Limiter. However, this means user have to know that when Limiter has to be without any power (both main battery and receiver voltage) for at least 120s before it can be used in another boat i.e. in next race group, but the 120s time is not too much to disconnect and then connect Limiter between two models.

Limiter nabízí možnost upgrade firmware u výrobce v rámci záruky, případně později za minimální poplatek (10EUR nebo méně) pro případ úpravy požadavků dle pravidel.

Design of Limiter also allows firmware upgrade at the producer in the warranty, or later for small cost (like 10EUR) for case any change will be needed by possible future rules change.

Technické parametry:

Maximální proud	160A (vyšší hodnota Limiter nepoškodí, ale je stále počítána jako 160A)
Přesnost snímání proudu	±1% (typicky, běžně méně než 0,5%)
Napětí silové	6 – 45V (2-10S LiPol)
Napětí BEC	5 – 10V
Přesnost snímání napětí	±0,5% (typicky, běžně méně než 0,2%)
Měřicí frekvence	25Hz

- Voděodolné provedení IP67 pomocí speciální tříložkové pryskyřice
- Rozměry hlavní desky limiteru 35x35mm, tloušťka cca 7mm
- Hmotnost cca 10g bez kabelů, 27g s kabely
- Silové kabely 4mm², délka 80mm každý
- Řídicí kablík délka 230mm s JR servokonektorem
- CE certifikace kompatibility, průmyslové provedení pro maximální spolehlivost

Technical data:

Maximal current	160A (higher value doesnt damage the Limiter, only will be still counted as 160A)
Current monitoring accuracy	±1% (typicaly, in fact better then 0.5%)
Voltage (main power)	6 – 45V (2-10S LiPol)
Receiver voltage (BEC)	5 – 10V
Voltage monitoring accuracy	±0.5% (typicaly, in fact better then 0.2%)
Monitoring frequency	25Hz

- Waterproof design IP67 by special three-part electronic protection resin
- Main board size 35x35mm, thickness approx. 7mm
- Weight approx 10g without cable, 27g with cables as delivered
- Power leads 4mm², lenght 80mm each
- Control lead 230mm with JR gold-plater connector
- CE certification, industrial design for maximal reliability

Kontakt a technická podpora / Contact, technical support:

Ing. Miroslav Miletín – MModely.cz
 MMM Com, s.r.o.
info@mmodels.eu
 +420724252189
www.mmodels.eu

Změny vyhrazeny / Changes possible

Zvolené národní varianty nastavení limiteru dle zemí / chosen values for limiter based on each country requests:

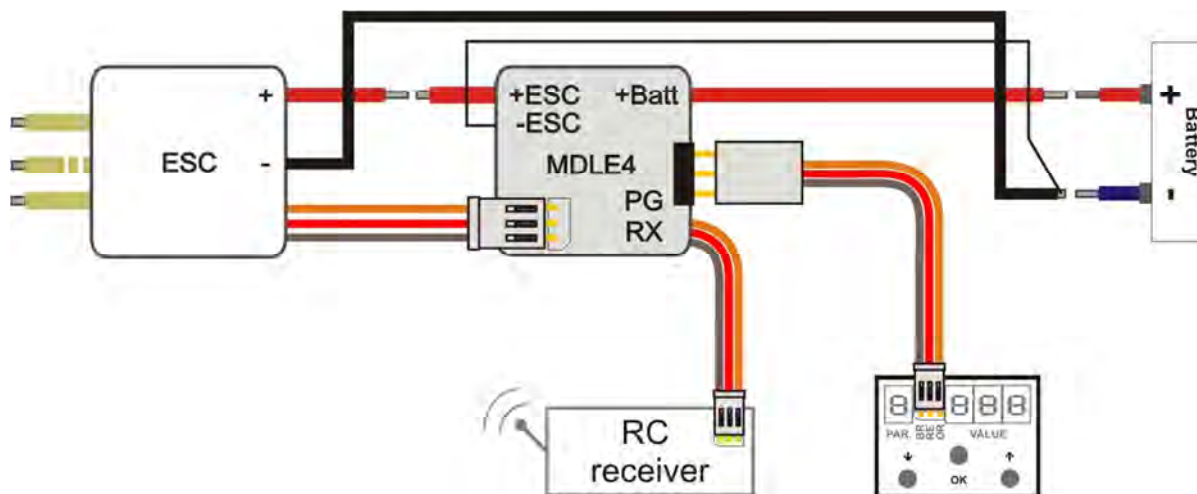
1) Czech Republic (same as PL)

Mem.	Energy limit	Inic.	Waiting time	Slowdown time	Class
P1	53 Wh	Start	90s	12s	ECO, M1, H1 - primary
P2	106 Wh	Start	90s	12s	M2, H2
P3	159 Wh	Start	90s	12s	FSR-E
P4	20 Wh	Start	90s	12s	mini

2) Poland (same as CZ)

Mem.	Energy limit	Inic.	Waiting time	Slowdown time	Class
P1	53 Wh	Start	90s	12s	ECO, M1, H1 - primary
P2	106 Wh	Start	90s	12s	M2, H2
P3	159 Wh	Start	90s	12s	FSR-E
P4	20 Wh	Start	90s	12s	mini

Programování Limiteru pomocí karty MPDL1 / Limiter programming by MDPL1 programm card



- 1) Zapojit Limiter a kartu dle schématu (stejně jako zapojení v provozu, jen s připojenou kartou)
- 2) Zapnout napájení (lépe vč. napájení přijímače/BEC, ale není nutné), display Limiteru ukazuje „P“, programovací karta „LE4“
- 3) Stisknutím šipky „↓“ (dolů) inicializovat programovací režim. Po prvním stisknutí zobrazena verze FW (např. „1.1“) a po druhém stisknutí je Limiter v režimu programování.
- 4) Programování:
 - display PAR ukazuje aktuálně nastavovaný parametr
 - display VALUE ukazuje konkrétní číselnou hodnotu
 - šipkami „↓“ a „↑“ lze přepínat mezi nastavovanými parametry
 - pro změnu hodnoty parametru stisknout „OK“ a VALUE začne dlouze blikat. Poté lze šipkami „↓“ a „↑“ změnit hodnotu dle potřeby a opětovným stisknutím „OK“ se vrátit do výběru parametru
 - po nastavení všech hodnot 3s podržet „OK“ pro uložení, což je signalizováno „P End“ a poté je potřeba odpojit napájení a kartu. Po opětovném zapnutí napájení bez připojené karty je Limiter připraven k použití.

Par.	Funkce	Rozsah	Krok, možnosti
P1	Paměť	1-4	4 samostatné, přepínatelné paměti
P2	Hodnota limitu	1-200 Wh	1Wh
P3	Inicializace	Start/5A	Zapnutí načítání od připojení napájení nebo od hodnoty 5A
P4	Čekací čas	1 – 120s	1s
P5	Zpomalovací čas	1 – 20s	1s

- 1) Connect Limiter and program card as shown at picture (the same as for normal use, only with card connected)
- 2) Power on the model/Limiter (if possible, receiver power / BEC included), Limiter display shows „P“ and program card „LE4“
- 3) Press arrow „↓“ (down) to initialize programming mode. After first press FW version is shown (i.e. „1.1“) and after second press Limiter can be programmed.
- 4) Programming:
 - display PAR shows actually setted parameter

- display VALUE shows each numeric value
- use arrows „↓“ and „↑“ to chose parameter type
- to change parameter value press „OK“ and VALUE display starts to flash slowly. Then parameter value can be changed by pressing „↓“ a „↑“ and press „OK“ will finish the change and goes back to parameter chose
- once all values have been setted, long hold (for 3s) of „OK“ saves the changes and card shows „P End“. Then its necessary to disconnect power and the card and after repowering the model is ready for use.

Par.	Function	Vaule	Step / possibilites
P1	Memory no.	1-4	4 independent, user switchable memories
P2	Energy limit	1-200 Wh	1Wh
P3	Inicialization	Start/5A	Start counting at power on / after at least 5A current
P4	Waiting time	1 – 120s	1s
P5	Slowing down time	1 – 20s	1s

Paměti / Memories

Limiter je vybaven paměti, při programování se tedy v prvním parametru vybere konkrétní nastavovaná paměť pro výběr parametrů. Tento postup pak lze libovolně opakovat, tedy:

- zvolit par.1 – 1
- nastavit potřebné hodnoty
- zvolit par.1 – 2
- nastavit potřebné hodnoty
- ...opakovat dle potřeby

Limiter is equipped with memories, so during programming at first parameter each memory is chosen and programmed. In next step another memory can be programmed:

- choose par.1 – 1
- set values
- choose par.1 – 2
- set values
-repeat as necessary

Kontakt a technická podpora / Contact, technical support:

Ing. Miroslav Miletín – MModely.cz
 MMM Com, s.r.o.
info@mmodels.eu
 +420724252189
www.mmodels.eu

Změny vyhrazeny / Changes possible

Specifications	
Max input voltage	60V
Max current (continuous)	100A
Max current (peak)	160A
Voltage resolution	4mV
Current resolution	5mA

Connections	
OV	\
Rx	- Prog
Tx	/
-	\
+	- Rx
S	/
S	\
+	- ESC
-	/

Pins identified with the first one being closest to the power cables.

eLim

energy limiter

mlm Solutions
 Ashton House
 West Bank
 Winster
 DE4 2DQ
 UK



What does it do?

The **eLim** energy limiter is an electronic device which is used in R/C models to provide a calibrated amount of energy from a battery power source.

Why is it needed?

The quest for ever greater performance leads to competitors pushing the battery packs to their limits by charging to maximum voltage and discharging to or below their minimum voltage.

The result is that the life of packs can be short and the cost of racing has become a concern.

Also, despite what it may say on the label, not all batteries deliver their rated capacity and if they do, they don't do it for long. This means that not all racers are competing with the same amount of energy.

How does the eLim help?

The **eLim** is connected to a larger more robust battery but only allows a pre-determined amount of energy to be used. Because the battery is not fully discharged, it will now last much longer and they will now deliver exactly the same amount of energy each time to all competitors.

How does it do this?

The **eLim** constantly monitors the instantaneous voltage and current so that the power (watts) can be calculated. This power when logged over time is deducted from a pre-programmed amount of energy. When the limit is reached, the throttle demand to the ESC is reduced to zero over a period of three seconds.

Is the model now dead?

For a while yes. It will re-enable in two minutes so that it can be recovered.

Will it work with pistol grip transmitters?

Yes. The **eLim** automatically senses the pulse width at zero throttle.

How can it be programmed?

The **eLim** can be calibrated and its energy limit set by using an associated programming device which is obtained from mIm Solutions. This programmer will only be sold to race organisers in order to ensure that all **eLims** in a race are calibrated and set using common standards.

How is it connected?

The picture below shows how to connect the **eLim** into your model. Note which side of the eLim is connected to the battery. This is important.

When powered up, an LED will flash at a 2Hz rate. This indicates that there is still energy left.

When the energy limit is reached, the LED will remain on constantly and the throttle will be reduced to zero over a 3 second period to avoid an abrupt stop.

After two minutes, the throttle will be re-enabled.



2001 - Bulgaria	# jun	# sen	2004 - Poland	# jun	# sen	2006 - Germany	# jun	# sen	2008 - Poland	# jun	# of countries	# of countries	2010 - Germany	# jun	# of countries	# of countries	2013 - Belgium	# jun	# of countries	# of countries	2015 - Poland	# jun	# of countries	# of countries	track	heat duration (min)	max. participants per heat	number of heats	2015 total duration (netto)										
A1	6	11	17	0	0	0	0	0	0	0	0	0	0	0	0	0	0	0	0	0	0	0	0	0	0	0	0	0											
A2	4	10	14	0	0	0	0	0	0	0	0	0	0	0	0	0	0	0	0	0	0	0	0	0	0	0	0	0											
A3	3	10	13	0	0	0	0	0	0	0	0	0	0	0	0	0	0	0	0	0	0	0	0	0	0	0	0	0											
B1	6	9	15	0	0	0	0	0	0	0	0	0	0	0	0	0	0	0	0	0	0	0	0	0	0	0	0	0											
ECO team	5	12	17	ECO team	7	19	26	ECO team	6	19	25	ECO team	9	18	27	ECO team	6	18	24	ECO team	9	22	31	ECO team	10	17	27	A	18	6	4	360							
F1E<1kg	14	14	F1E-1	5	14	19	F1E-1	5	16	21	F1E-1	8	4	13	6	21	F1E-1	7	3	17	8	24	F1E-1	4	3	13	4	16	F1E-1	7	4	11	18	B	5	1	3	270	
F1E<1kg	7	7	F1E+1	6	13	19	F1E+1	3	14	17	F1E+1	5	3	11	5	16	F1E+1	7	3	11	8	18	F1E+1	6	3	10	4	16	F1E+1	7	4	15	22	B	5	1	3	330	
F1V-15scm	5	3	F1V-15scm	7	7	F1V-15scm	9	9	F1V-15scm	0	0	3	1	3	F1V-15scm	0	0	9	3	9	F1V-15scm	1	1	7	3	8	F1V-15scm	4	2	10	16	B	5	1	3	210			
F1V-3scm	3	3	F1V-3scm	4	8	12	F1V-3scm	6	9	15	F1V-3scm	0	0	4	2	4	F1V-3scm	0	0	12	5	12	F1V-3scm	1	1	6	11	F1V-3scm	4	3	8	12	B	5	1	3	180		
F1V-7scm	1	5	F1V-7scm	9	9	F1V-7scm	12	12	F1V-7scm	0	0	3	2	3	F1V-7scm	0	0	7	4	7	F1V-7scm	3	2	8	4	11	F1V-7scm	4	3	7	11	B	5	1	3	165			
F3E	7	5	F3E	15	15	30	F3E	7	11	18	F3E	7	5	6	3	13	F3E	8	3	12	5	20	F3E	6	5	15	6	23	F3E	8	4	12	4	20	B	5	1	3	300
F3V	3	6	F3V	7	11	18	F3V	4	6	10	F3V	5	3	3	3	8	F3V	2	1	3	4	10	F3V	5	3	13	5	18	F3V	6	3	16	2	12	B	5	1	3	180
FSR-E21	5	5	FSR-E21	11	11	FSR-E	3	17	20	FSR-E	5	10	15	FSR-E	5	10	15	FSR-E	6	18	24	FSR-E	6	18	24	FSR-E	6	18	24	C	15	6	4	240					
FSR ECO EXP	21	21	ECO EXP	19	42	61	ECO EXP	15	47	62	ECO EXP	25	43	68	ECO EXP	24	42	66	ECO EXP	18	50	68	ECO EXP	20	41	61	A	6	6	4	240								
FSR ECO	6	15	21	0	0	0	0	0	0	0	ECO LIPO	9	9	ECO ST	9	8	17	ECO ST	14	26	40	ECO ST	19	25	44	A	10	6	4	280									
FSR ECO ST	11	11	ECO ST	21	30	51	ECO ST	18	27	45	ECO ST	21	29	50	0	0	0	0	0	0	0	0	0	0	0	0	0	0	0	0	0	0	0	0	0	0			
Hydro 1	5	7	Hydro 1	5	12	17	Hydro 1	3	14	17	Hydro 1	14	16	30	Hydro 1	10	24	34	Hydro 1	14	32	46	Hydro 1	7	27	34	C	6	6	4	144								
Hydro 2	5	6	Hydro 2	5	10	15	Hydro 2	2	15	17	Hydro 2	6	13	19	Hydro 2	5	21	26	Hydro 2	5	21	26	Hydro 2	5	23	23	C	6	6	4	96								
Hydro 3	7	7	Hydro 3	10	10	Hydro 3	10	10	Hydro 3	0	0	5	5	5	0	0	0	0	0	0	0	0	0	0	0	0	0	0	0	0	0	0	0	0	0				
Mono 1	5	7	Mono 1	11	19	30	Mono 1	7	33	40	Mono 1	15	22	37	Mono 1	9	40	49	Mono 1	16	41	57	Mono 1	12	35	47	C	6	6	4	192								
Mono 2	4	6	Mono 2	6	15	21	Mono 2	6	24	30	Mono 2	7	11	18	Mono 2	5	30	35	Mono 2	9	32	41	Mono 2	10	23	33	C	6	6	4	144								
Mono 3	0	0	Mono 3	9	9	Mono 3	15	15	Mono 3	7	7	7	0	0	0	0	0	0	0	0	0	0	0	0	0	0	0	0	0	0	0	0	0	0	0				
ECO mini ST	0	0	0	0	0	0	0	0	0	0	ECO mini ST	15	14	29	ECO mini ST	15	16	31	ECO mini ST	13	13	26	ECO mini ST	16	14	30	A	6	8	4	96								
ECO mini EXP	0	0	0	0	0	0	0	0	0	0	ECO mini EXP	5	16	21	ECO mini EXP	22	32	54	ECO mini EXP	20	36	56	ECO mini EXP	31	38	69	A	6	8	4	216								
ECO mini team - demo	0	0	0	0	0	0	0	0	0	0	ECO mini team - demo	7	10	17	ECO mini team	7	10	17	ECO mini team	9	13	22	ECO mini team	10	12	22	A	18	6	4	288								
mini Mono - demo	0	0	0	0	0	0	0	0	0	0	0	0	0	0	0	0	0	0	0	0	0	0	0	0	0	0	0	0	0	0	0	0	0	0					
mini Mono	0	0	0	0	0	0	0	0	0	0	0	0	0	0	0	0	0	0	0	0	0	0	0	0	0	0	0	0	0	0	0	0	0	0	0				
mini Hydro - demo	0	0	0	0	0	0	0	0	0	0	0	0	0	0	0	0	0	0	0	0	0	0	0	0	0	0	0	0	0	0	0	0	0	0	0				
mini Hydro	0	0	0	0	0	0	0	0	0	0	0	0	0	0	0	0	0	0	0	0	0	0	0	0	0	0	0	0	0	0	0	0	0	0	0				
21	71	171	242	17	111	254	365	19	90	114	404	20	147	256	403	18	136	131	467	20	175	409	584	201	384	585									4167				

note: models in the table are counted only if it has result more than 0

2.4.6 Cancellation of classes from the world and continental championship programme

To the cancellation of a class from the world and continental championship programme of the NAVIGA the following conditions must be fulfilled:

- (1) With a world championship every class (except the classes C, F6 and F7) with at least 10 competitors from 5 countries (with juniors 6 competitors from 3 countries) must be taken. With a continental championship every class (except the classes C, F6 and F7) with at least 10 competitors must be taken (with juniors 5 competitors). If this is not with 3 successive world championships the case, the concerning class from the championship programme is stroked.
- (2) In the class F6 and F7 and the classes of the section C must be begun in each case at least 4 participants or teams from at least 2 countries (a country with continental championships).
- (3) The cancellation of a class from the championship programme is to be informed by the presidium immediately after ending of the concerning Championship of all land umbrella organisations. The section management can decide a cancellation on the section meeting (majority decision of the present/land representatives) of a world championship and suggest to the presidium to the approval.

SEN	2013			2015		
	1.place	2.place	3. place	1.place	2.place	3. place
F1-1kg	9.71	10.23	10.45	9.57	9.79	10.34
F1+1kg	9.58	10.37	10.48	9.41	9.57	10.02

2015 tracks	duration (min)
A (ECO)	1480
B (F)	1635
C (oval)	1052
	4167

track A and C is in fact same track (parallel race is not possible)
A+C = 2532 mins

	# classes	# jun	# sen	% change jun	% change sen
2001	21	71	171	---	---
2004	17	111	254	36	33
2006	19	90	314	-23	19
2008	20	147	256	39	-23
2010	18	136	331	-8	23
2013	20	175	409	22	19
2015	20	201	384	13	-7

Date: 21.-29.8.2015

Place: Kędzierzyn-Koźle, Poland

Participant 17 countries

62 juniors 62

137 seniors 137

536 model boats (+ team model boats)

Classes: 20 classes (including ECO team and mini team)

F1-E (= F1 + 1kg), F1-E1 (=F1 - 1kg)

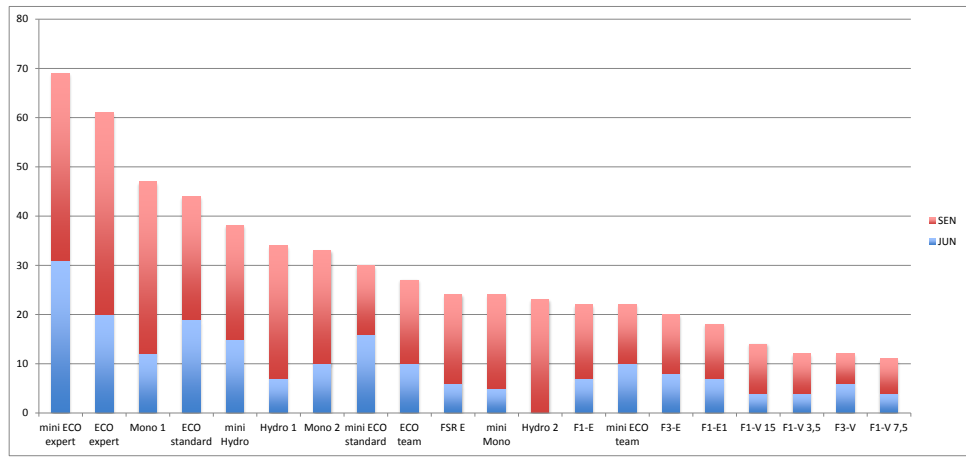
Date: 21.-29.8.2015
Place: Kędzierzyn-Koźle, Poland
Participants: 17 countries
62 juniors 62
137 seniors 137
536 model boats (+ team model boats)

Classes: 20 classes (including ECO team and mini team)
F1-E (= F1 + 1kg), F1-E1 (=F1 - 1kg)

Hidden sheets: source data sheet
source data racers
source data models

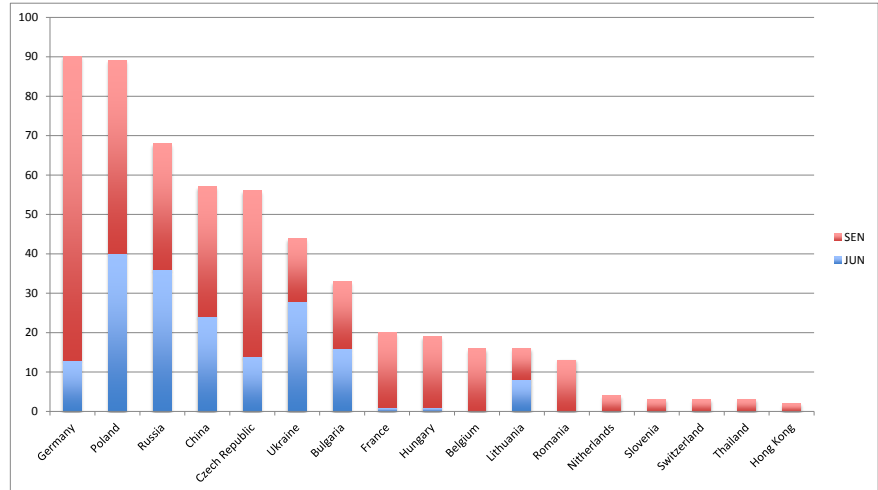
class	age	#	name	country	result	start fee EUR
F1-E1	SEN	1	Jianming ZHOU	China	yes	30
F1-E1	SEN	2	Yan MO	China	yes	30
F1-E1	SEN	3	Zhaolin HUANG	China	yes	30
F1-E1	SEN	4	Alexander POGREY	Russia	yes	30
F1-E1	SEN	5	Andreas BENKE	Germany	yes	30
F1-E1	SEN	6	Jozsef NOVICS	Hungary	yes	30
F1-E1	SEN	7	Cuifeng XING	China	yes	30
F1-E1	SEN	8	Jacek DZWONKOWSKI	Poland	yes	30
F1-E1	SEN	9	Ernst ASCHLER	Germany	yes	30
F1-E1	SEN	10	Maik LUPLOW	Germany	yes	30
F1-E1	SEN	11	Michael DAHM	Germany	no result	30
F1-E	SEN	1	Jianming ZHOU	China	yes	30
F1-E	SEN	2	Lei PAN	China	yes	30
F1-E	SEN	3	Jurgen WINKLER	Germany	yes	30
F1-E	SEN	4	Mingwei BI	China	yes	30
F1-E	SEN	5	Andreas BENKE	Germany	yes	30
F1-E	SEN	6	Rene SCHULTZ	Germany	yes	30
F1-E	SEN	7	Zhaolin HUANG	China	yes	30
F1-E	SEN	8	Ilya DAVYADOV	Russia	yes	30
F1-E	SEN	9	Song XIAO	China	yes	30
F1-E	SEN	10	Albertas ALIASEVICIUS	Lithuania	yes	30
F1-E	SEN	11	Werner BRECKLINGHAUS	Germany	yes	30
F1-E	SEN	12	Jozsef NOVICS	Hungary	yes	30
F1-E	SEN	13	Jacek DZWONKOWSKI	Poland	yes	30
F1-E	SEN	14	Sorin MAVRU	Romania	yes	30
F1-E	SEN	15	Michael DAHM	Germany	no result	30

Count of class	Column Labels		
Row Labels	JUN	SEN	Grand Total
ECO expert	20	41	61
ECO standard	19	25	44
ECO team	10		10
ECO team	17		17
F1+E1	7	15	22
F1-E1	7	11	18
F1-V 15	4	10	14
F1-V 3,5	4	8	12
F1-V 7,5	4	7	11
F3-E	8	12	20
F3-E	6	6	12
F3-V	6	18	24
FSR E	6	18	24
Hydro 1	7	27	34
Hydro 2	23		23
mini ECO expert	31	38	69
mini ECO standard	16	14	30
mini ECO team	10		10
mini ECO team	12		12
mini Hydro	15	23	38
mini Mono	5	19	24
Mono 1	12	35	47
Mono 2	10	23	33
Grand Total	201	384	585



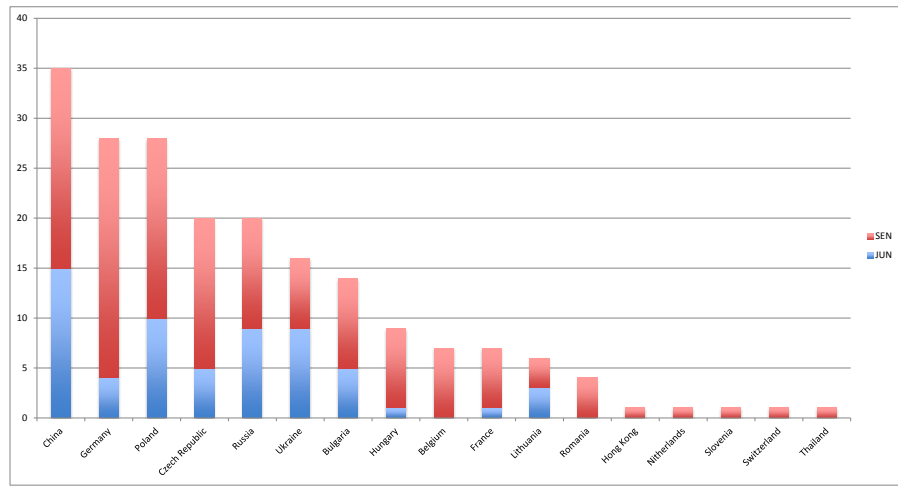
Count of class	Column Labels	SEN	Grand Total
Row Labels	JUN		
Belgium		16	16
Bulgaria		16	17
China		24	33
Czech Republic		14	42
France		1	19
Germany		13	77
Hong Kong			2
Hungary		1	18
Lithuania		8	8
Netherlands		4	4
Poland		40	49
Romania			13
Russia		36	32
Slovenia			3
Switzerland			3
Thailand			3
Ukraine		28	16
Grand Total		181	355

teams are not included



Count of name	Column Labels		
Row Labels	JUN	SEN	Grand Total
Belgium	7	0	7
Bulgaria	5	9	14
China	15	20	35
Czech Republic	5	15	20
France	1	6	7
Germany	4	24	28
Hong Kong	1	0	1
Hungary	1	8	9
Lithuania	3	3	6
Netherlands	1	0	1
Poland	10	18	28
Romania	4	0	4
Russia	9	11	20
Slovenia	1	0	1
Switzerland	1	0	1
Thailand	1	0	1
Ukraine	9	7	16
Grand Total	62	137	199

teams are not included



Count of class	Column Labels	
Row Labels	JUN	SEN
ECO expert		
Belgium		1
Bulgaria	5	3
China	1	5
Czech Republic	1	5
France		1
Germany		5
Hungary		3
Lithuania	3	2
Poland	2	4
Romania		2
Russia	4	5
Slovenia		1
Thailand		1
Ukraine	4	3
ECO expert Total	20	41
ECO standard	19	25
ECO team	10	
ECO team		17
F1-E	7	15
F1-E1	7	11
F1-V 15	4	10
F1-V 3,5	4	8
F1-V 7,5	4	7
F3-E	8	12
F3-V	6	6
FSR E	6	18
Hydro 1	7	27
Hydro 2		23
mini ECO expert	31	38
mini ECO standard	16	14
mini ECO team	10	
mini ECO team		12
mini Hydro	15	23
mini Mono	5	19
Mono 1	12	35
Mono 2	10	23

Grand Total

201 384

National Responsible Person (single point of contact) for limiter questions

Country	Name	Email	Phone
Armenia			
Belgium			
Bulgaria			
China			
Czech Republic			
France			
Germany			
Great Britan			
Hong Kong			
Hungary			
Italia			
Latvia			
Lithuania			
Luxembourg			
Netherlands			
Norway			
Poland			
Romania			
Russia			
Slovakia			
Sweden			
Switzerland			
Thailand			
Ukraine			